



Call **1.888.734.2947** or email **info@allaxisystems.com**
our friendly, helpful and experienced techs will help you get what you need.

Scorpio Mini V

SPECIFICATIONS SHEET

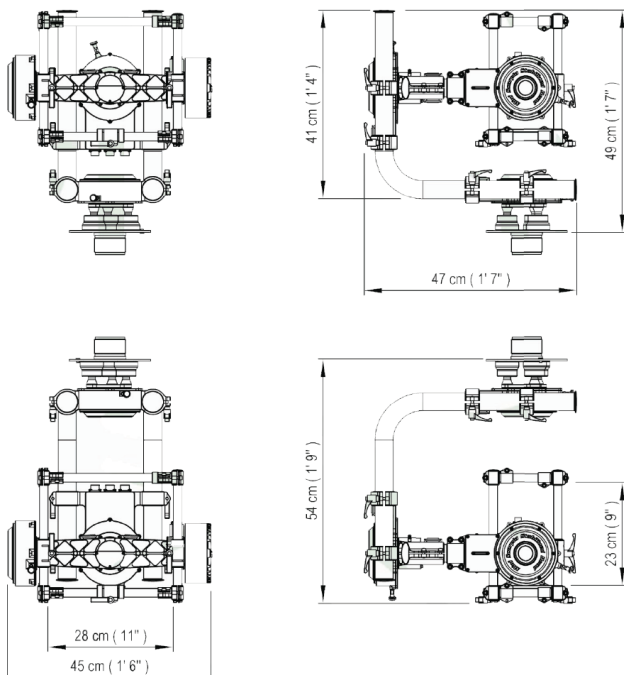
The SCORPIO MINI V, is the next level in lightweight, powerful, and portable stabilized heads. Weighing just 30 lbs., the design of the new gyros, new mechanics and new software, makes it an impressive new tool to get the shots you need. It has real-world horizon, programmable limits, dampened stops, positional read-outs and capable of repeatable moves. It's quick to set up & wireless friendly with our 900MHz Scorpio Radio module. Wheels, Panbar, and Joystick control options are all available upon request.

FEATURES:

- Power for all cameras supplied
- Two internal lines of video: 1 HD, 1 SD
- Power supply for Scorpio Focus or other popular Lens Control
- Three control systems are available: Handwheels, Joystick and Pan Bar
- Programmable limits, Damping and Speed adjustment for all axes
- Backpan or Follow mode
- Real world horizon
- Optional vibration isolator not necessary on technocranes
- Vibration Generator included with variable frequencies
- Repeatable movements
- Longest usable lens: up to 200mm

SYSTEM SPECIFICATIONS:

- System Type: 3 axis gyro stabilized
- Head Weight: 30 lbs (14 Kg.)
- Max Payload: 45 lbs (20.4 Kg.)
- Pan Limit: 360°
- Tilt Limit: 360°
- Roll Limit: +/-60°
- Speed: 180°/sec
- Operating Temp: -20°F to 120°F (-29°C to 49°C)
- Power Requirements: 30V DC
- Controls: Handwheels (Included)
- Opt: Joystick, Pan-bar
- Vibration Generator
- Wireless 900 MHz Scorpio Radio



allaxisystems.com